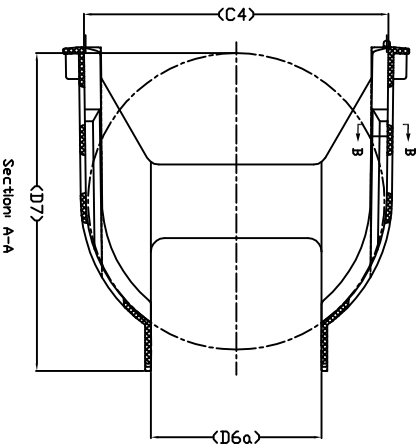
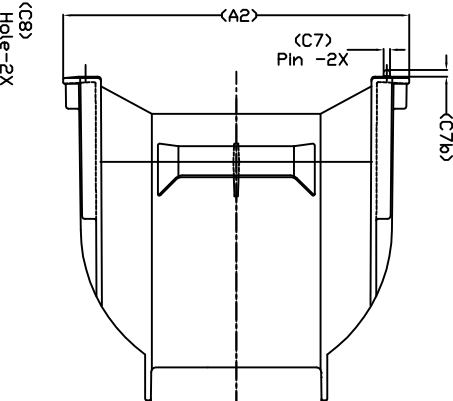
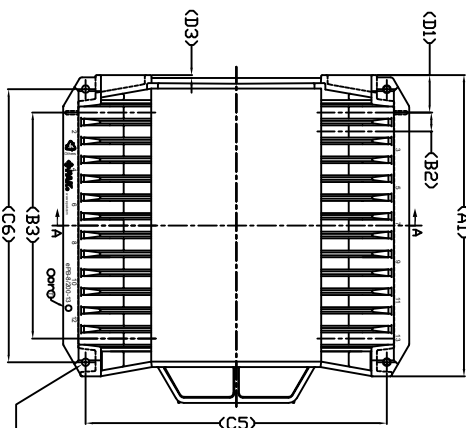
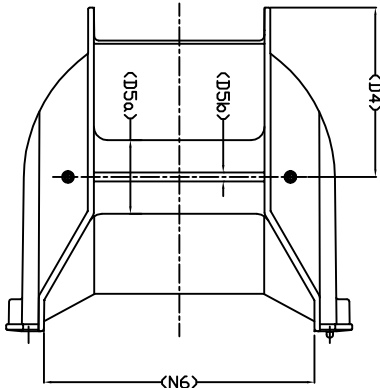
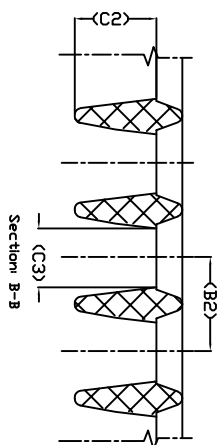
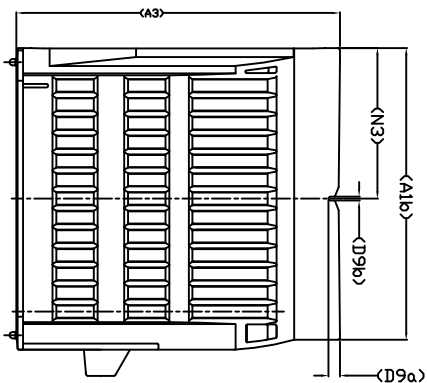


PATENT PENDING

No.	MAT'L CODE	Order Code	Product Description	Product Color	Sft.(ohms/sq)	product shipped
01	eM-56	NV30182-eM-56-NAT	ePB-8/200-13-eM-56-NAT	Natural	N/A	
02	eM-01	NV30182-eM-01-BLK	ePB-8/200-13-eM-01-BLK	Black	10 ⁴ - 10 ⁵	
03	eM-08	NV30182-eM-08-BLU	ePB-8/200-13-eM-08-BLU	Blue	N/A	
04	eM-08	NV30182-eM-08-NAT	ePB-8/200-13-eM-08-NAT	Natural	N/A	
05	eM-105	NV30182-eM-105-BLK	ePB-8/200-13-eM-105-BLK	Black	10 ⁴ - 10 ⁵	
06	eM-08	NV30182-eM-08-TLW	ePB-8/200-13-eM-08-TLW	Yellow	N/A	



Item	A1	A1b	A2	A3	B2	B3	C2	C3	C4	C5	C6	C7	C7b	C8	D1	D3	D4	D5a	D5b	D6a	D7	D9a	D9b	N3	N6
eM-01 / eM-08	204.60±1.00	198.10±1.00	233.8±1.00	219.50±1.00	12.78±0.20	153.38±0.40	11.00±0.50	8.05±0.30	206.20±1.00	204.80±1.00	183.30±0.50	04.30±0.30	05.10±0.30	05.10±0.30	25.45±0.50	2.10±0.50	114.95±0.50	49.70±0.80	6.00±0.30	116.00±1.00	214.00±1.00	7.62±0.50	2.64±0.50	101.65±0.80	183.80±1
eM-56	203.30±1.00	196.90±1.00	233.42±1.00	218.30±1.00	12.70±0.20	152.40±0.40	11.00±0.50	7.92±0.30	205.48±1.00	203.20±1.00	184.15±0.50	04.30±0.30	05.10±0.30	05.10±0.30	25.45±0.50	2.10±0.50	114.30±0.50	49.70±0.80	6.00±0.30	115.00±1.00	214.30±1.00	7.62±0.50	2.64±0.50	101.65±0.80	182.37±1
eM-105	203.70±1.00	197.40±1.00	233.70±1.00	218.30±1.00	12.73±0.20	152.70±0.40	11.00±0.50	7.98±0.30	206.20±1.00	204.00±1.00	184.70±0.50	04.30±0.30	05.10±0.30	05.10±0.30	25.45±0.50	2.10±0.50	114.40±0.50	49.70±0.80	6.00±0.30	115.40±1.00	214.00±1.00	7.62±0.50	2.64±0.50	101.65±0.80	183.00±1

NOTES:
 1. MATERIAL: PP (eM-08)
 PVDf (eM-56)
 PVDf+CP (eM-105)
 Conductive PP (eM-01)

Copyright © ePAK International, Inc. All Rights Reserved.

ECN NO.	DESCRIPTION	PAGE	OF	DATE
		1	1	20 Aug 13
		DESIGNER	MaI	20 Aug 13
		CHECKED	DICK HE	20 Aug 13
		APPROVED	MS KHOO	20 Aug 13
WB00540	Correct material name mistakes			
WB00483	Add the eM-08-Yellow			
WB00376	Standardize the drawing			
WB00300	Add the eM-105			
WB00129	cancel "Tongue" option			
		UNLESS OTHERWISE SPECIFIED: ALL DIM IN MILLIMETERS. GENERAL TOLERANCE AS :		
		CUSTOMER: ePAK RESOURCES		
		DESCRIPTION: ePB-8/200-13-X		
		DWG NO.	mWB0182	REV.
				0