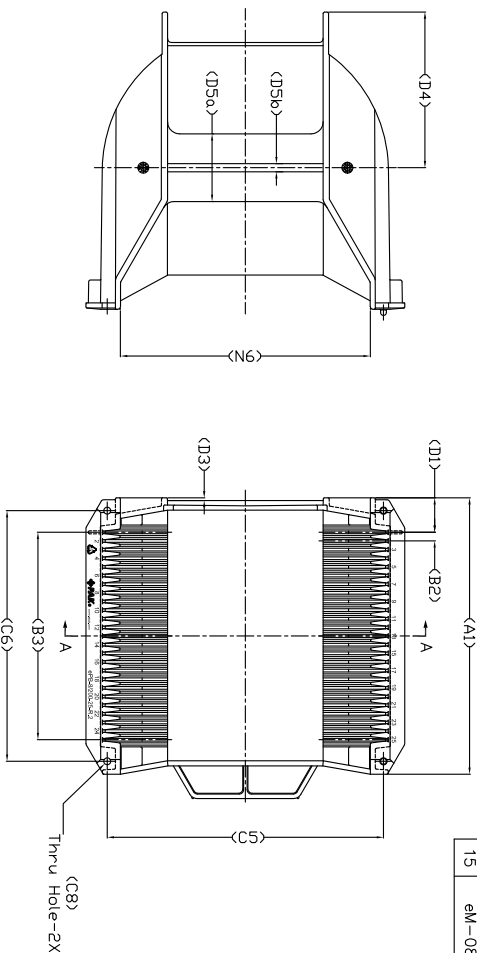
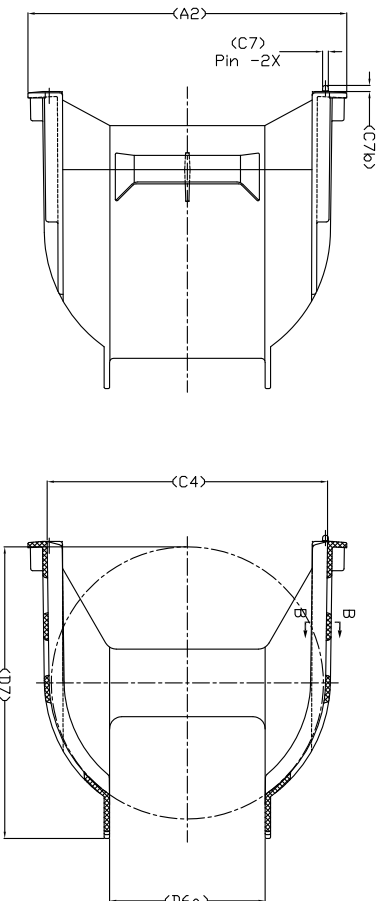


Section B-B



Section A-A



| No. | MAT'L CODE | Order Code | Product Description | Product Color | S.R.(ohms/sq) | Product Shipped |
|-----|------------|----------------------|-------------------------------|---------------|-----------------------------------|-----------------|
| 01 | eM-01 | eWB0090-eM-01-BLK | ePB-8/200-25-R-2-eM-01-BLK | Black | 10 ⁴ - 10 ⁵ | |
| 02 | eM-56 | eWB0090-eM-56-NAT | ePB-8/200-25-R-2-eM-56-NAT | Natural | N/A | |
| 03 | eM-08 | eWB0090-eM-08-NAT | ePB-8/200-25-R-2-eM-08-NAT | Natural | N/A | |
| 04 | eM-08 | eWB0090-eM-08-RED | ePB-8/200-25-R-2-eM-08-RED | Red | N/A | |
| 05 | eM-08 | eWB0090-eM-08-BLU | ePB-8/200-25-R-2-eM-08-BLU | Blue | N/A | |
| 06 | eM-08 | eWB0090-eM-08-YLW | ePB-8/200-25-R-2-eM-08-YLW | Yellow | N/A | |
| 07 | eM-08 | eWB0090-eM-08-GRN | ePB-8/200-25-R-2-eM-08-GRN | Green | N/A | |
| 08 | eM-08 | eWB0090-eM-08-BLK | ePB-8/200-25-R-2-eM-08-BLK | Black | N/A | |
| 09 | eM-08 | eWB0090-eM-08-ORN | ePB-8/200-25-R-2-eM-08-ORN | Orange | N/A | |
| 10 | eM-08 | eWB0090-eM-08-PNK | ePB-8/200-25-R-2-eM-08-PNK | Pink | N/A | |
| 11 | eM-08 | eWB0090-eM-08-BRW | ePB-8/200-25-R-2-eM-08-BRW | Brown | N/A | |
| 12 | eM-08 | eWB0090-eM-08-PRL | ePB-8/200-25-R-2-eM-08-PRL | Purple | N/A | |
| 13 | eM-08 | eWB0090-eM-08-YLW-02 | ePB-8/200-25-R-2-eM-08-YLW-02 | Yellow-02 | N/A | |
| 14 | eM-08 | eWB0090-eM-08-BLU-AM | ePB-8/200-25-R-2-eM-08-BLU-AM | Blue | N/A | |
| 15 | eM-08 | eWB0090-eM-08-GRN-01 | ePB-8/200-25-R-2-eM-08-GRN-01 | Green-01 | N/A | |

| Item | A1 | A1b | A2 | A3 | B2 | B3 | C2 | C3 | C4 | C5 | C6 | C7 | C7b | C8 | D1 | D3 | D4 | D5a | D5b | D6a | D7 | D9a | D9b | N3 | N6 |
|---------------|-------------|-------------|-------------|-------------|-----------|-------------|------------|-----------|-------------|-------------|-------------|------------|-----------|------------|------------|-----------|-------------|------------|-----------|-------------|-------------|-----------|-----------|-------------|-------------|
| eM-01 / eM-08 | 203.10±1.0 | 196.8±1.0 | 234.30±1.0 | 218.30±1.0 | 6.35±0.13 | 152.40±0.40 | 11.00±0.50 | 2.05±0.50 | 206.07±1.0 | 203.00±1.0 | 184.20±0.50 | 04.30±0.30 | 4.50±0.50 | 05.10±0.30 | 25.35±0.30 | 2.00±0.50 | 114.30±0.50 | 49.70±0.38 | 6.00±0.25 | 114.40±1.0 | 214.30±1.0 | 5.00±0.50 | 2.70±0.30 | 101.55±0.50 | 183.80±1.0 |
| eM-56 | 202.30±1.27 | 195.60±1.27 | 233.50±1.27 | 217.20±1.27 | 6.33±0.13 | 151.92±0.40 | 11.00±0.50 | 2.05±0.50 | 205.90±1.27 | 202.80±1.27 | 183.60±0.50 | 04.30±0.30 | 4.20±0.50 | 05.30±0.30 | 25.10±0.30 | 2.00±0.50 | 113.70±1.27 | 49.30±0.38 | 6.00±0.25 | 115.50±1.27 | 213.90±1.27 | 5.00±0.50 | 2.70±0.30 | 100.70±0.50 | 183.20±1.27 |

NOTES:

1. MATERIAL: PP(eM-08)
Conductive PP(eM-01)
PVDF(eM-56)
2. "AM" means "as molded", default means "washed"

| | | | | |
|---------|---|-----------------------------|---------|-----------|
| WB00657 | Add material eM-08-Green-01 | PAGE 1 | OF 1 | DATE |
| WB00647 | Add unwashed option | DESIGNER | Mai | 08 May 15 |
| WB00635 | Add material eM-08-Yellow-02&Purple | CHECKED | DICK HE | 08 May 15 |
| WB00577 | Add material eM-08-Brown | APPROVED | MS KHOO | 08 May 15 |
| WB00511 | Specify options for eM-07/08/09 and eM-46/46-V2 | DO NOT SCALE | | |
| WB00463 | Add eM-08-Pink | UNLESS OTHERWISE SPECIFIED: | | |
| WB00353 | Standardize the drawing | ALL DIM IN MILLIMETERS | | |
| WB00239 | Add eM-46-V2-Black | GENERAL TOLERANCE AS : | | |
| ECN NO. | DESCRIPTION | | | |



CUSTOMER: ePAK

DESCRIPTION: ePB-8/200-25-R-2-X

DWG NO. mWB0090 REV. 0