

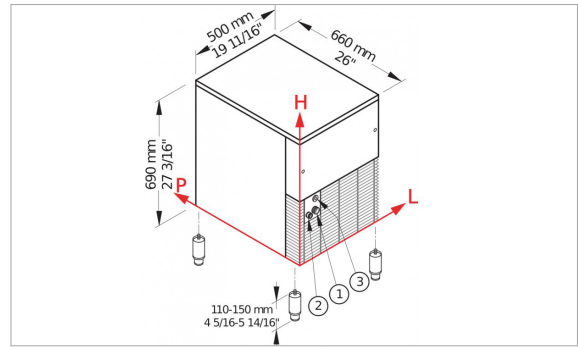
## Compact Ice Maker, Flake type 소형 제빙기, 알갱이 입자형 얼음 (20kg 저장)

배송비 별도

Cat. No.	Model	일일 생산량	저장용량	EA Price ₩
I04-120-150	GB-902	95 kg	20 kg	4,070,000

- 하루 최대 생산량 : 95 kg
- 최대 저장량 : 20 kg
- 노즐 분사식
- Stainless Steel Construction
- User friendly design
- Easy to Maintain and Keep Clean
- Condenser Cooling System
- R452A Refrigerant
- Brema

Cat. No.	I04-120-150
Model	GB-902
Production Capacity	95 Kg / Day
Storage Capacity	20 kg
Shape of Ice	Flake type
Material	Stainless Steel
External Size	w500 × d660 × h820 mm (조절발 포함)
Adjustable Leg Size	h110 ~ 150 mm
Cooling System	A / W ( Air Cooled )
Refrigerant	R452A
Connection Port	Water : Ø3/4", Drain : Ø24 mm
Power	220V, 550 W



## Ice Maker, Flake type 제빙기, 알갱이 입자형 얼음 (40kg or 50kg 저장)

배송비 별도

Cat. No.	Model	일일 생산량	저장용량	EA Price ₩
I04-120-300	GB-1540	155 kg	40 kg	4,860,000
I04-120-450	GB-1555		55 kg	5,170,000

- 하루 최대 생산량 : 155 kg
- 최대 저장량 : 40 kg (GB-1540) or 55 kg (GB-1555)
- 노즐 분사식
- Stainless Steel Construction
- User Friendly Design
- Easy to Maintain and Keep Clean
- Condenser Cooling System
- R452A Refrigerant
- Brema

Cat. No.	I04-120-300	I04-120-450
Model	GB-1540	GB-1555
Production Capacity	155 Kg / Day	
Storage Capacity	40 kg	55 kg
Shape of Ice	Flake Type	
Material	Stainless Steel	
External Size	w738 × d690 × h1050 mm	w738 × d690 × h1150 mm
Adjustable Leg Size	h110 ~ 150 mm	
Cooling System	A / W ( Air Cooled )	
Refrigerant	R452A	
Connection Port	Water : Ø3/4", Drain : Ø24 mm	
Power	220V, 650 W	

- 제품의 높이는 조절발의 높이를 제외한 나머지의 높이를 나타냄

