

Vigreux Distillation Head 비그릭스형 증류 헤드, LukeGL®

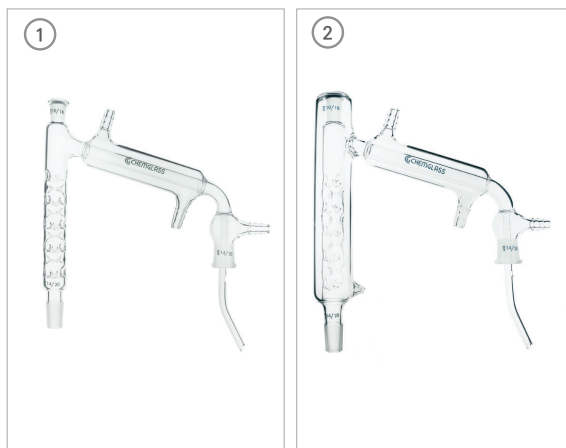
- Borosilicate Glass 3.3
- LukeGL®

with Condenser ①

Cat. No.	Model	Joint	Condenser	온도계 Port	EA Price ₩
C17-132-300	1241-05	14/23	150 mm	10/18 (25 mm)	101,300
C17-132-306	1241-06		200 mm		117,600
C17-132-312	1241-07	24/40	250 mm	10/30 (50 mm)	120,500
C17-132-318	1241-08		300 mm		124,800

with Condenser and Vacuum Adapter ②

Cat. No.	Model	Joint	Condenser	온도계 Port	EA Price ₩
C17-132-324	1242-10	14/23	150 mm	10/18 (25 mm)	187,300
C17-132-330	1242-11		200 mm		203,600
C17-132-336	1242-12	24/40	250 mm	10/30 (50 mm)	210,800
C17-132-342	1242-13		300 mm		269,800



Claisen Vigreux Distillation Head 비그릭스형 증류 헤드, LukeGL®

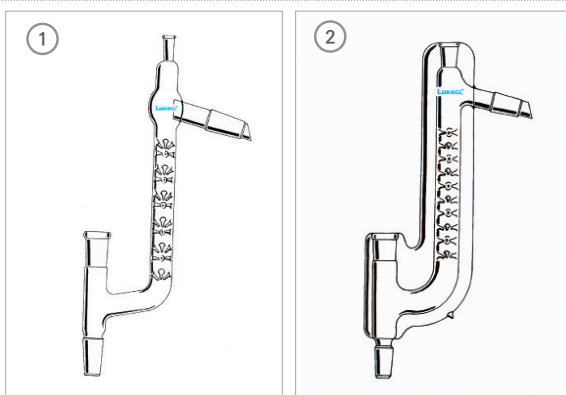
- Borosilicate Glass 3.3
- LukeGL®

Claisen Vigreux Distillation ①

Cat. No.	Model	Joint	Column	온도계 Port	EA Price ₩
C17-132-348	1243-11	14/23	150 mm	10/18 (25 mm)	88,100
C17-132-354	1243-12		200 mm		103,900
C17-132-360	1243-13	24/40	250 mm	10/30 (50 mm)	111,100
C17-132-366	1243-14		300 mm		118,200

Jacketed Claisen Vigreux Distillation ②

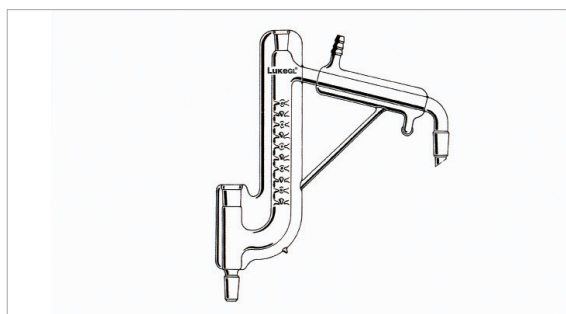
Cat. No.	Model	Joint	Condenser	온도계 Port	EA Price ₩
C17-132-372	1244-21	14/23	150 mm	10/18 (25 mm)	231,400
C17-132-378	1244-22	24/40	200 mm	10/30 (50 mm)	261,600



Micro Vigreux Distillation Head, Jacketed 소형 비그릭스 증류 헤드, LukeGL®

Cat. No.	Model	Joint	온도계 Port	EA Price ₩
C17-132-384	1245-11	14/20	10/18 (25 mm)	327,500

- Borosilicate Glass 3.3
- Size : approx. 215×205 mm
- LukeGL®



Vigreux Jacketed Distillation Head 비그릭스 자켓형 증류 헤드, LukeGL®

Cat. No.	Model	Joint	Column	온도계 Port	EA Price ₩
C17-132-390	1246-11	14/23	150 mm	10/18 (25 mm)	202,400
C17-132-396	1246-12		200 mm		217,800
C17-132-402	1246-13	24/40	250 mm	10/30 (25 mm)	228,700
C17-132-408	1246-14		300 mm		286,700

- Borosilicate Glass 3.3
- Condenser 길이 : 100 mm (14/23), 200 mm (24/40)
- LukeGL®

