

Bottle Top Aspirator QuikSip™ BT-Aspirator 바틀탑 진공 흡입 시스템

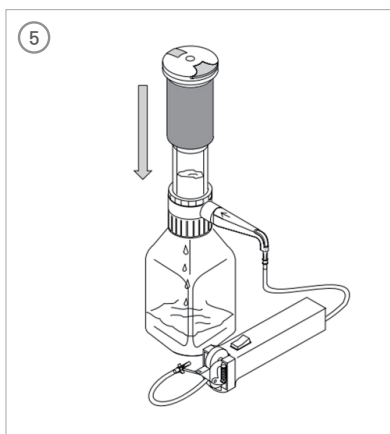
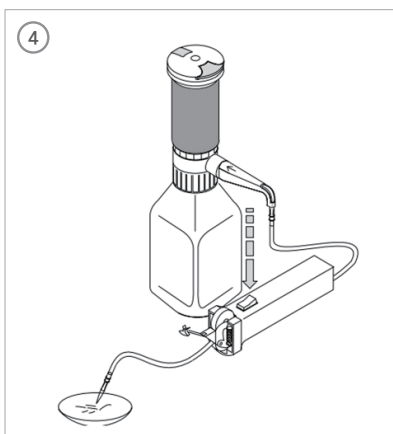
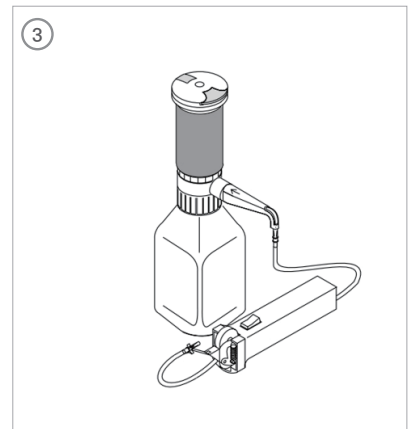
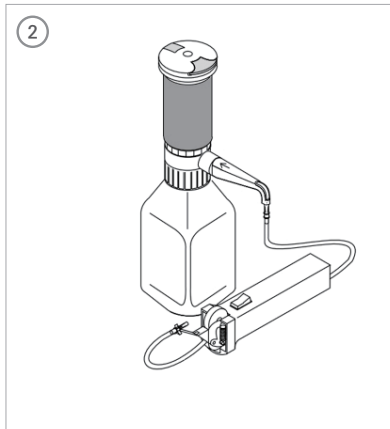
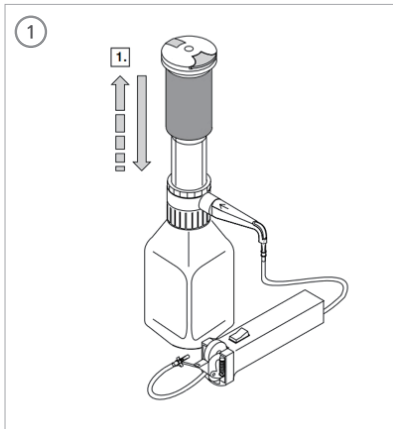
Cat. No.	Model	Pumping Rate	Max. Vacuum	EA Price ₩
A04-59-001	4723180	25 ml / Storke	500 mbar	381,700

- Hand-held Aspirator without Vacuum Pump
- Culture media, dish, flask, culture bottle, multiwell plate 등의 상층액 제거용
- 생물학, 식품 화학 및 의학용으로 사용하며 무기 및 유기용매에 적합함
- Autoclavable : Adapter and suction tube of the cell-culture™, Valve block, Filling tube, Valves
- 8-channel manifold를 이용하면 많은 양을 한번에 추출 가능 (Optional)
- Cell-culture™ unit으로 쉽고 간편하게 진공 조절을 할 수 있음 (Optional)
- Adapter를 교체하여 Disposable Pipette Tip, Micropipette, Glass Pasteur Pipette과 사용 가능
- 구성 : QuikSip™ BT-Aspirator, spare dispensing cartridge (PE piston, PP cylinder), PP adapters (GL45/32 & GL45/S40)
- Brand GmbH

Optional Accessory

Cat. No.	Model	규격	EA Price ₩
A04-59-010	25950	Cell-culture™ Unit	138,200
A04-59-012	704575	PP Filling Tube with filling valve	63,700
A04-59-014	704580	PP/EPDM Discharging valve with seal	48,800
A04-59-016	704526	P 8-channel manifold	25,800
A04-59-018	25933	PVC Cell-culture Adapter for capillary	5,900
A04-59-020	25960	SI/PVC Cell-culture Adapter for pasteur pipette	7,600
A04-59-022	25961	PP Cell-culture Adapter for 100 ul pipette tip	16,900
A04-59-024	6788	Seal for QuikSip, Seripettor®-pro	16,900
A04-59-026	25962	2M Silicone Suction Tubing	31,200

- Cell-culture™ Unit 구성품 : Aspiration controller, Suction Tubing (25962), Adapter (25933+25960+25961)
- Suction Tubing & Adapter는 Autoclave 가능함



1. Press Down the pump assembly
2. Disengage the piston lock to release the dispensing cartridge
3. Remove the pump assembly
4. Remove and discard the dispensing cartridge
5. Reverse process with a new cartridge