

Vacuum / Inert Line, AIRFREE®

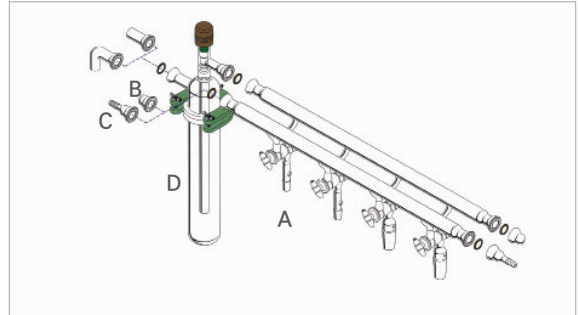
진공 메니폴드, 4-port

Cat. No.	Model	Description	EA Price ₩
V08-132-321	AF-0452-01	Vacuum / Inert Line	3,351,800

- 구성
 - A : 4 mm Solid Double Oblique High Vacuum Stopcock (24/40 Inner Joint (2ea), 14/20 Inner Joint (2ea))
 - B : #15 O-ring Joint Cap - C : #15 O-ring Joint Hose Adapter
 - D : Trap (OD57×h300 mm),
0 - 12 mm Valve 상/하부 연결부 57mm Flat O-ring Flange
- 전체 사이즈 : w762×h457 mm • Chemglass

Spare Part

Cat. No.	Model	Description	EA Price ₩
V08-132-050	AF-0452-02	Vacuum Manifold, Inert Line Only	2,174,900
V08-132-054	AF-0452-03	Trap Assembly Only	898,800
V08-132-058	AF-0452-04	Trap Stopper Only	741,200
V08-132-062	AF-0200-02	Trap Body Only	160,500
V08-132-455	AF-0070-03	#15 O-ring Joint to 3/4" Tubing, Straight	52,200
V08-132-459	AF-0070-20	#15 O-ring Joint to 3/4" Tubing, Bent 90°	186,900
V08-132-463	AF-0070-05	#15 O-ring Joint to Hose Connection	45,100
V08-132-467	AF-0210-01	#15 O-ring Stopper	39,400
V08-132-916	CG-139-02	57 mm Horseshoe Clamp	116,700
V08-132-644	CG-305-116	#116 Viton O-ring	3,300
V08-132-914	CG-305-331	#331 Viton O-ring	10,100
V08-132-971	CG-309-116	O-Ring, Perfluoro, #116 Black	81,800
V08-132-973	CG-309-331	O-Ring, Perfluoro, #331	402,200



Complete Set

- 4 Port Vacuum Manifold (1ea), Trap (1ea), #15 Stopper (2ea), #15 Hose Adapter (3ea), 57 mm Horseshoe Clamp (1ea), #15 Straight & Vent Adapter (각1ea), #28 Pinch Clamp (5ea), #116 Viton O-ring (5ea)

Vacuum / Inert Gas Line, AIRFREE®

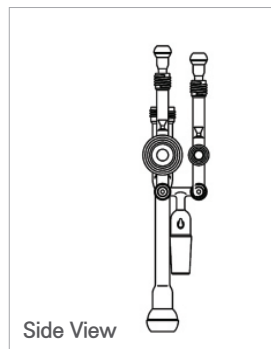
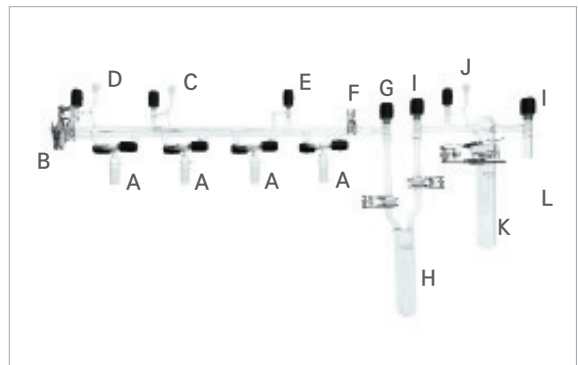
진공 메니폴드, 4-port

Cat. No.	Model	Description	EA Price ₩
V08-132-331	AF-0454-01	Vacuum / Inert Gas Line	10,530,600

- 전체 사이즈 : w1170×h585 mm
- 구성
 - A : 0 ~ 4 mm Valve (24/40 Inner Joint (2ea), 14/20 Inner Joint (2ea))
 - B : Vacuum Line (#25 O-ring Joint Cap)
 - C & J : Valved Gauging Port (18/9 Ball Joint)
 - D : Inert Gas Line (18/9 Ball Joint, Inert Gas Source)
 - E : Valved, Cross-over Line (for Evacuation of the entire system)
 - F : End Cleanout (#9 O-ring Joint, w/ Stopper)
 - G : Shutoff Valve (0 ~ 12 mm, Manifold와 Trap의 연결부위)
 - H : Pre-trap (od50×h210 mm, 상/하부 연결부 35/20 Socket Joint)
 - I : Isolation Valve (0 ~ 12 mm) - J : Gaugeing Port (18/9 Ball Joint)
 - K : Main Trap (od45×h210 mm, 상/하부 연결부 40 mm O-ring Joint)
 - L : Vacuum Source 연결부 (od22 mm)
- Chemglass

Spare Part

Cat. No.	Model	Description	EA Price ₩
V08-132-477	AF-0454-02	Pre-trap Only	316,300
V08-132-481	AF-0454-03	Main Trap Only	172,500
V08-132-485	AF-0454-04	#25 O-ring Joint Cap Stopper	52,700
V08-132-489	AF-0454-05	#9 O-ring Joint Cap Stopper	42,300
V08-132-905	CG-305-112	#112 Viton O-ring, 12/pk	21,400
V08-132-913	CG-305-226	#226 Viton O-ring, 3/pk	21,700
V08-132-636	CG-150-03	#18 SUS Pinch Clamp	18,100
V08-132-623	CG-150-06	#35 SUS Pinch Clamp	30,400
V08-132-624	CG-150-09	#65 SUS Pinch Clamp	102,500
V08-132-582	CG-961-01	0 - 4 mm Stem & Control Knob	74,300
V08-132-968	CG-961-03	0 - 12 mm Stem & Control Knob	84,000



Complete Set

- 4 Port Vacuum Manifold (1ea), Pre-trap & Main Trap (각 1ea), #25 Stopper (2ea), #9 Stopper (2ea), #18 Pinch Clamp (2ea),