

Single Bank Vacuum Manifold, LukeGL®

진공 메니폴드, 유리콕크형

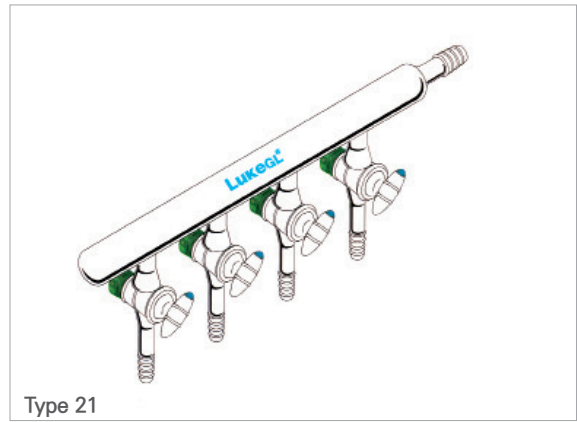
- Borosilicate Glass 3.3
- Glass Stopcock : Bore 4.0 mm
- 요청에 의해 규격외 사이즈도 공급 가능
- LukeGL®

One End Open, Type 21

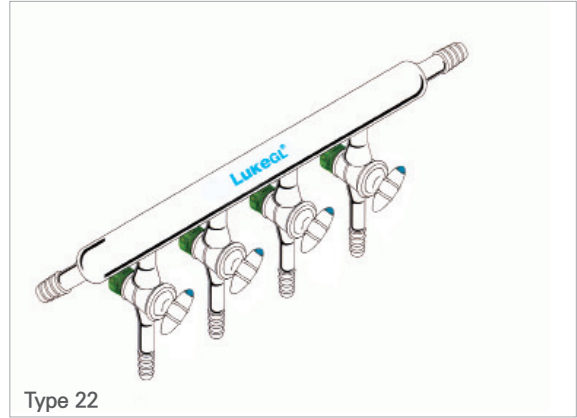
Cat. No.	Model	Port 수	Connection	EA Price ₩
V03-132-310	L443001R	3	Right Side Open	161,900
V03-132-316	L443002R	4		208,100
V03-132-322	L443003R	5		252,500
V03-132-328	L443001L	3	Left Side Open	161,900
V03-132-334	L443002L	4		208,100
V03-132-340	L443003L	5		252,500

Two End Open, Type 22

Cat. No.	Model	Port 수	Connection	EA Price ₩
V03-132-346	L443021	3	Both Side Open	161,900
V03-132-352	L443022	4		208,100
V03-132-358	L443023	5		253,500



Type 21



Type 22

Single Bank Manifold, LukeGL®

진공 메니폴드, 테프론 니들 밸브

- Borosilicate Glass 3.3
- J-Young High Vacuum Precision PTFE Needle Valve : 10⁻⁶ Torr
- 요청에 의해 규격외 사이즈도 공급 가능
- LukeGL®

One End Open, Type 31

Cat. No.	Model	Port 수	Connection	EA Price ₩
V03-132-410	L443201R	3	Right Side Open	404,800
V03-132-416	L443202R	4		539,800
V03-132-422	L443203R	5		674,700
V03-132-428	L443201L	3	Left Side Open	404,800
V03-132-434	L443202L	4		539,800
V03-132-440	L443203L	5		674,700

Two End Open, Type 32

Cat. No.	Model	Port 수	Connection	EA Price ₩
V03-132-446	4432-21	3	Both Side Open ①	433,700
V03-132-452	4432-22	4		578,300
V03-132-458	4432-23	5		722,900
V03-132-462	4432-41	3	Both Side Open +Vacuum Gauge Port ②	554,200
V03-132-465	4432-42	4		698,800
V03-132-668	4432-43	5		843,400

Needle Valve형 Vacuum Adapter, LukeGL®

Cat. No.	Model	Type	EA Price ₩
V03-132-855	HP6RA/10H	90°	126,500

- Borosilicate Glass 3.3
- Valve Bore : 0 ~ 6 mm
- J-Young High Precision PTFE Needle Valve : 10⁻⁶ Torr



Type 31

