

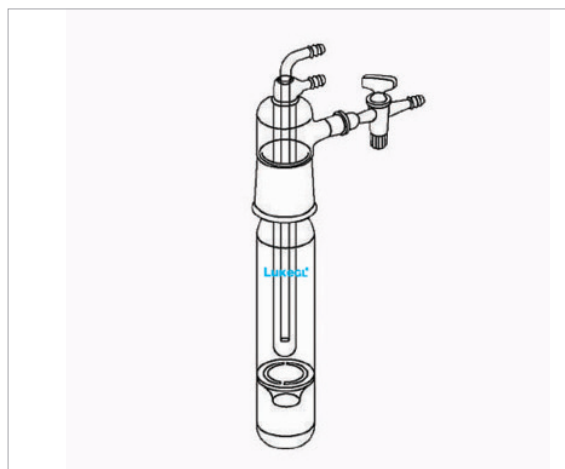
## Modified Sublimation Apparatus 서브리메이션 장치, LukeGL®

Cat.No.	Model	용량	Joint	EA Price ₩
S22-130-411	SA-M20	20 ml	24/40	115,400

- 분리형 Glass 진공 Adapter (Bore 2.5 mm)
- LukeGL®

### 구성 Component for SA-M03

Cat.No.	Model	Description	EA Price ₩
S22-130-759	SA-M201	Sublimation Head, Without Cock	33,700
S22-130-765	SA-M202	Sublimation Reservoir	25,300
S22-130-771	SA-M203	Glass Vacuum Adapter	33,700



## Sublimation Apparatus 서브리메이션 장치

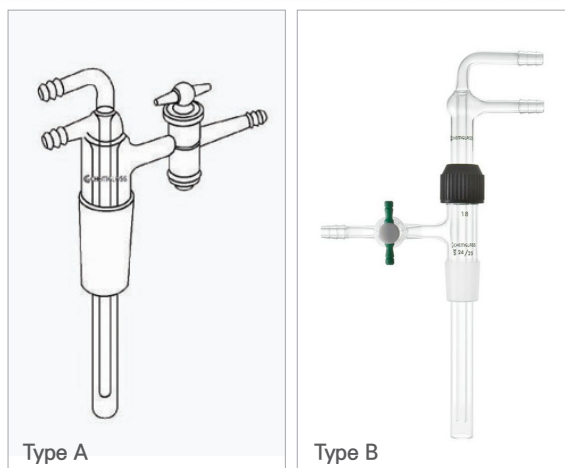
- Chemglass

### 기본형 Type A

Cat.No.	Model	Joint	Glass Stopcock	EA Price ₩
S22-132-435	3031-01	24/40	Bore 2.5 mm	84,300

### Cold Finger 높이 조절식 Type B

Cat.No.	Model	Joint	PTFE Stopcock	EA Price ₩
S22-132-653	3032-01	24/25	Bore 2 mm	541,700



## Vacuum Sublimation Apparatus, Dailey 진공 서브리메이션 장치

Cat.No.	Model	용량	Valve	EA Price ₩
S22-132-684	3034-01	10 ml	0 ~ 2 mm	554,700
S22-132-690	3034-02	40 ml	0 ~ 4 mm	658,700

- 완벽한 진공 유지를 위한 O-ring과 Clamp 사용
- 용량은 Cold Finger 하단 아래의 용량임
- 구성 : Cold Finger, 하부 용기, Viton O-ring, Pinch Clamp
- Chemglass

### Replacement Part

Cat.No.	Model	Description	EA Price ₩
S22-132-701	3034-03	Lower Vessel Only, 10 ml Sublimator	78,600
S22-132-705	3034-05	Lower Vessel Only, 40 ml Sublimator	97,300
S22-132-709	3034-04	Condenser Only, 10 ml Sublimator	477,600
S22-132-713	3034-06	Condenser Only, 40 ml Sublimator	577,800
V03-132-582	961-01	Chem-Vac™ Plug Only, 0 ~ 4 mm	74,300
V08-132-623	CG-150-06	SS Pinch Clamp #35	30,400
V08-132-624	CG-150-09	SS Pinch Clamp #65	102,500
V08-132-907	CG-305-217	Viton O-ring #217	33,000
V08-132-913	CG-305-226	Viton O-ring #226	21,700

